

**NOTES**

- 1. ALL DIMENSIONS ARE IN M.M
- 2. QTY: 2 NO/ROLLER
- 3. MATL: NYLON-6
- 4. C. NO: 05 80 79 030

APHMEL D&D / FMT / I.A.

2.	REV. 1 DELETED																																																																																								
1	DIM. 9 WAS 10, & 4 WAS 5																																																																																								
Rev	Change	Made by	Checked by	Date	Remarks																																																																																				
<table border="1"> <tr> <td colspan="4">Tol. unless otherwise Specified</td> <td colspan="2"></td> </tr> <tr> <td colspan="4">Linear Dimensions</td> <td colspan="2"></td> </tr> <tr> <td>05-6</td> <td>6-30</td> <td>30-120</td> <td>120-315</td> <td>Approved</td> <td rowspan="4">           SUBSTITUTE FOR            SUPERCEDED BY            SCALE 1:1            MATERIAL            QTY/UNIT            NET. WT.KG.         </td> </tr> <tr> <td>± 0.1</td> <td>± 0.2</td> <td>± 0.3</td> <td>± 0.5</td> <td>Designed</td> </tr> <tr> <td>315-1M</td> <td>1-2M</td> <td>2-4M</td> <td>4-8M</td> <td>Checked</td> </tr> <tr> <td>± 0.8</td> <td>± 1.2</td> <td>± 2</td> <td>± 3</td> <td>Drawn</td> </tr> <tr> <td colspan="4"> <table border="1"> <tr> <th>Angular</th> <th>Dev</th> <th>-10</th> <th>10-50</th> <th>50-120</th> <th>120</th> <th rowspan="3">Description</th> </tr> <tr> <td></td> <td>mm</td> <td>± 0.1</td> <td>± 0.2</td> <td>± 0.6</td> <td>± 0.8</td> </tr> <tr> <td></td> <td>Dec</td> <td>± 1°</td> <td>± 30'</td> <td>± 20'</td> <td>± 10'</td> </tr> </table> </td> <td colspan="2">SPACER FOR BEARING</td> </tr> <tr> <td colspan="2">Holes/Shafts</td> <td colspan="4">Radii &amp; Chamfer</td> <td>Drg. No.</td> </tr> <tr> <td>Drilled</td> <td>H 11</td> <td>0.5-3</td> <td>3-6</td> <td>6-30</td> <td>30-120</td> <td rowspan="3">7081-20-504</td> </tr> <tr> <td>Reamed</td> <td>H 8</td> <td>± 2</td> <td>± 0.5</td> <td>± 1</td> <td>± 2</td> </tr> <tr> <td>Machined</td> <td>h 10</td> <td>± 0.2</td> <td>± 0.5</td> <td>± 1</td> <td>± 2</td> </tr> </table>						Tol. unless otherwise Specified						Linear Dimensions						05-6	6-30	30-120	120-315	Approved	SUBSTITUTE FOR SUPERCEDED BY SCALE 1:1 MATERIAL QTY/UNIT NET. WT.KG.	± 0.1	± 0.2	± 0.3	± 0.5	Designed	315-1M	1-2M	2-4M	4-8M	Checked	± 0.8	± 1.2	± 2	± 3	Drawn	<table border="1"> <tr> <th>Angular</th> <th>Dev</th> <th>-10</th> <th>10-50</th> <th>50-120</th> <th>120</th> <th rowspan="3">Description</th> </tr> <tr> <td></td> <td>mm</td> <td>± 0.1</td> <td>± 0.2</td> <td>± 0.6</td> <td>± 0.8</td> </tr> <tr> <td></td> <td>Dec</td> <td>± 1°</td> <td>± 30'</td> <td>± 20'</td> <td>± 10'</td> </tr> </table>				Angular	Dev	-10	10-50	50-120	120	Description		mm	± 0.1	± 0.2	± 0.6	± 0.8		Dec	± 1°	± 30'	± 20'	± 10'	SPACER FOR BEARING		Holes/Shafts		Radii & Chamfer				Drg. No.	Drilled	H 11	0.5-3	3-6	6-30	30-120	7081-20-504	Reamed	H 8	± 2	± 0.5	± 1	± 2	Machined	h 10	± 0.2	± 0.5	± 1	± 2
Tol. unless otherwise Specified																																																																																									
Linear Dimensions																																																																																									
05-6	6-30	30-120	120-315	Approved	SUBSTITUTE FOR SUPERCEDED BY SCALE 1:1 MATERIAL QTY/UNIT NET. WT.KG.																																																																																				
± 0.1	± 0.2	± 0.3	± 0.5	Designed																																																																																					
315-1M	1-2M	2-4M	4-8M	Checked																																																																																					
± 0.8	± 1.2	± 2	± 3	Drawn																																																																																					
<table border="1"> <tr> <th>Angular</th> <th>Dev</th> <th>-10</th> <th>10-50</th> <th>50-120</th> <th>120</th> <th rowspan="3">Description</th> </tr> <tr> <td></td> <td>mm</td> <td>± 0.1</td> <td>± 0.2</td> <td>± 0.6</td> <td>± 0.8</td> </tr> <tr> <td></td> <td>Dec</td> <td>± 1°</td> <td>± 30'</td> <td>± 20'</td> <td>± 10'</td> </tr> </table>				Angular	Dev	-10	10-50	50-120	120	Description		mm	± 0.1	± 0.2	± 0.6	± 0.8		Dec	± 1°	± 30'	± 20'	± 10'	SPACER FOR BEARING																																																																		
Angular	Dev	-10	10-50	50-120	120	Description																																																																																			
	mm	± 0.1	± 0.2	± 0.6	± 0.8																																																																																				
	Dec	± 1°	± 30'	± 20'	± 10'																																																																																				
Holes/Shafts		Radii & Chamfer				Drg. No.																																																																																			
Drilled	H 11	0.5-3	3-6	6-30	30-120	7081-20-504																																																																																			
Reamed	H 8	± 2	± 0.5	± 1	± 2																																																																																				
Machined	h 10	± 0.2	± 0.5	± 1	± 2																																																																																				



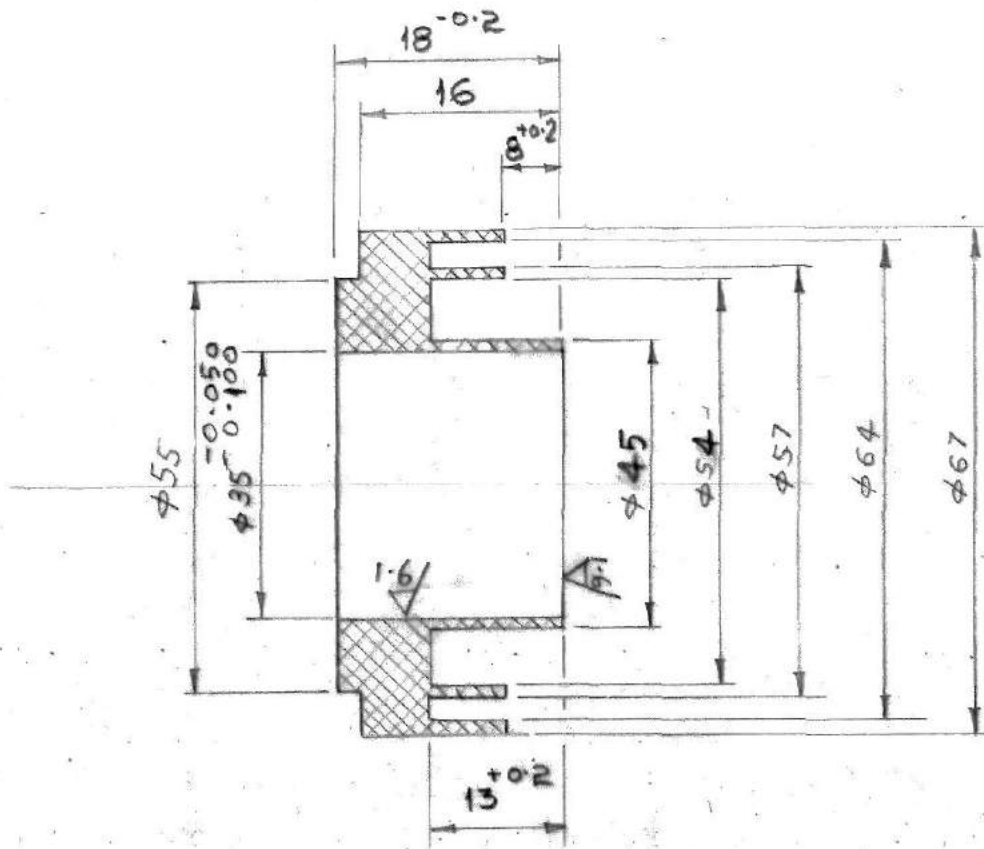
**APHMEL**

Drg. No.	7081-20-504	Rev.	2
----------	-------------	------	---

4-0469

SIZE A4 297X210 mm

12.5 THE REST



NOTE:-

1. ALL DIMENSIONS ARE IN mm.
2. PLEASE GET SAMPLE PIECE APPROVED BEFORE PROCEEDING TO BULK MANUFACTURE.
3. SURFACE FINISH TO BE OBTAINED IN CASTING.

3. Q. NO. 0059101035

APHMEL/D&D/FMT/1:1A

Tol. unless otherwise Specified				Rev	Change	Made by	Checked by	Date	Remarks
Linear Dimensions									
0.5-6	6-30	30-120	120-315	Approved	KKRajag				SUBSTITUTE FOR
± 0.1	± 0.2	± 0.3	± 0.5	Designed					SUPERCEDED BY
315-1M	1-2M	2-4M	4-8M	Checked	for	9/3/84			SCALE 1:1
± 0.8	± 1.2	± 2	± 3	Drawn	abcd	7/8/84			MATERIAL
Angular				Description				NYLON-6	
Dev				LABYRINTH SEAL (INNER)				QTY/UNIT 2 NOS / ROLLER	
Δm								NET. WT. KG.	
Δα									
Holes/Shafts		Radii & Chamfer		Drg. No.			Rev.		
Drilled	H 11	0.5-3	3-6	7081-20-507			0		
Reamed	H 8	6-30	30-120						
Machined	h 10	120-315	12-14						

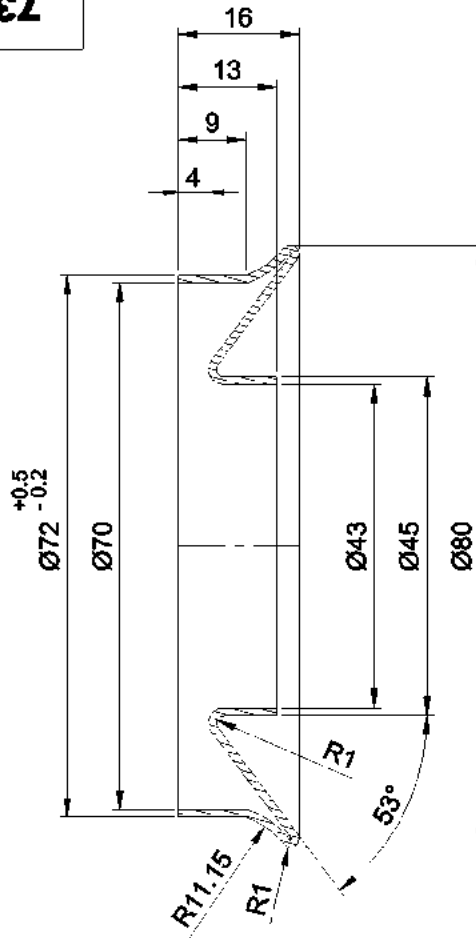


**APHMEL**

4-0471

SIZE A4 297X210 mm

7312 - 00 - 021



**NOTES :**

1. PLEASE GET SAMPLE PIECE APPROVED BEFORE PROCEEDING TO BULK MANUFACTURE.
2. C.No : 005 89 00 002

APHMEL/D&D/FMT/1:A

DRG.No.

**DUST SEAL**

**7312 - 00 - 021**

MATERIAL CRCA SHEET  
BS 1449

SCALE 1 : 1 WEIGHT IN kg. 0.08



DEC 2014

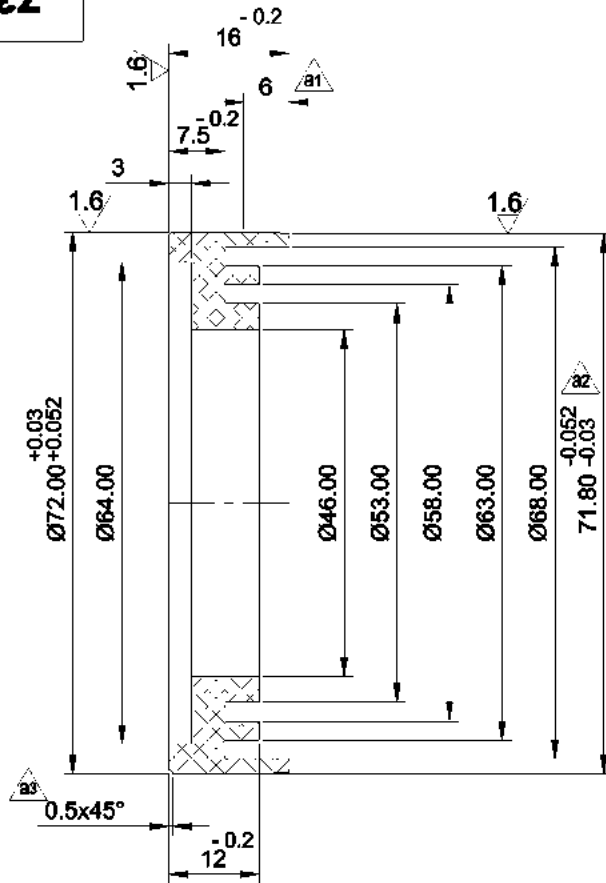
ARCHIVE No.

4 -

INDEX	No	REVISION	NAME	SGN./DATE


APPROVED BY	T.V.RAMANA.	
CHECKED BY	T.V.RAMANA.	
DESIGN-D BY	T.V.RAMANA.	
DRAWN BY	P.JAYAKUMAR	
REF.DRG.No.	NORM.CHKD	

7314 - 00 - 024



**NOTES :**

1. PLEASE GET SAMPLE PIECE APPROVED BEFORE PROCEEDING TO BULK MANUFACTURE.
2. SURFACE FINISH TO BE OBTAINED IN CASTING.
3. C.No : 005 91 02 006

APHMEL/D&D/FMT/1:A

DRG.No.

a

**LABYRINTH SEAL OUTER**

**7314 - 00 - 024**

MATERIAL

NYLON - 6

APPROVED BY T.V.RAMANA.

*S*

SCALE 1 : 1 WEIGHT IN kg. 0.01

CHECKED BY T.V.RAMANA.

DESIGNED BY T.V.RAMANA.

DRAWN BY P.JAYAKUMAR

*P*



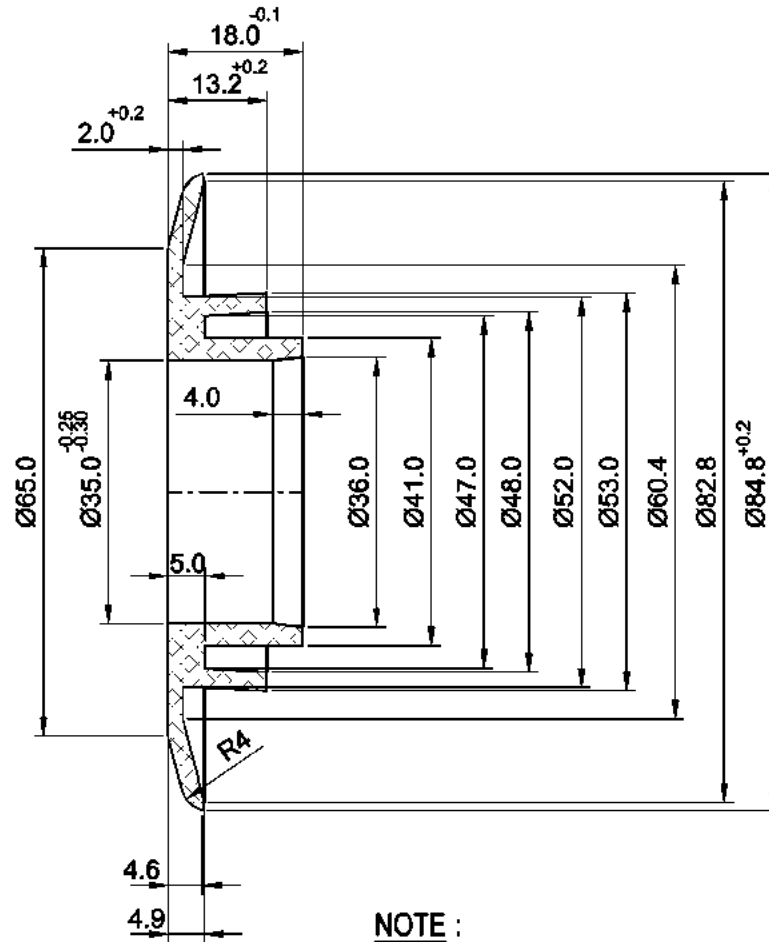
DEC 2014

ARCHIVE No.

4 -

a	3	REVISED AS NOTED	T.V.RAMANA.	23.01.2015
INDEX	No	REVISION	NAME	SGN./DATE

REF.DRG.No. NORM.CHKD



**NOTE :**  
 1. TO UTILISE FOR 1200 BW RETURN IDLER (OA - 6234)  
 DATE : 06.05.2016

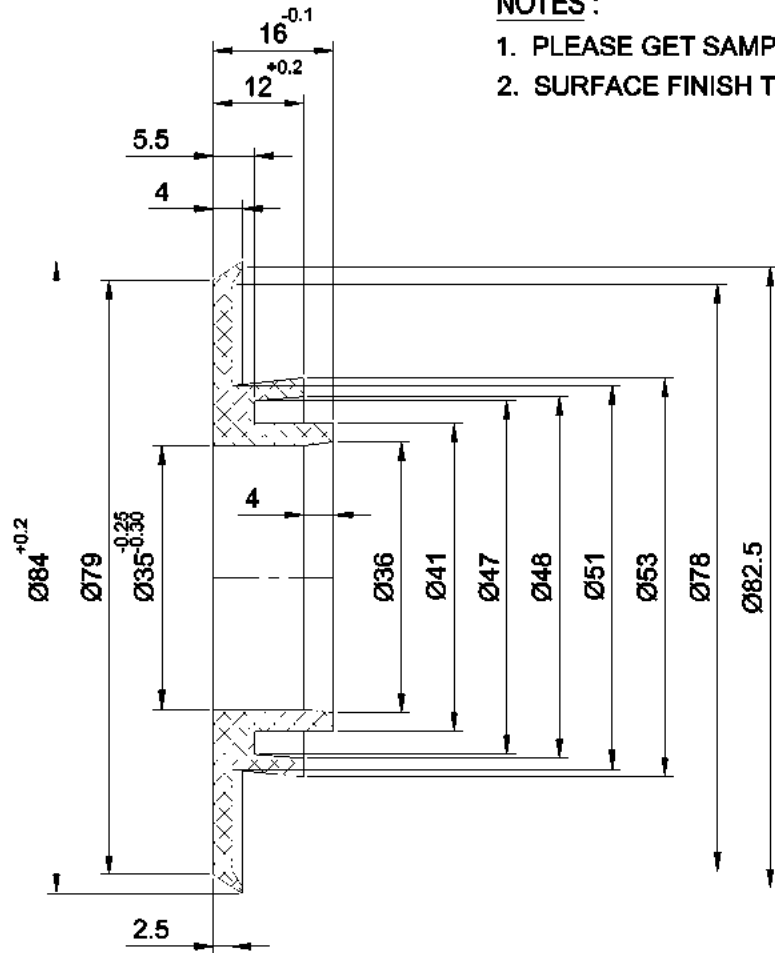
APHMEL/D&D/FMT/1:A

<b>RAIN CAP</b>				DRG.No.	
				<b>7314 - 00 - 025/M</b>	
				MATERIAL NYLON - 6	
APPROVED BY T.V.RAMANA.		SCALE 1 : 1		WEIGHT IN kg. 0.026	
CHECKED BY P.BRAHMAJI				MAY 2016	
DESIGNED BY P.BRAHMAJI				ARCHIVE No.	
DRAWN BY P.JAYAKUMAR				4 -	
REF.DRG.No.	NORM.CHKD			VIJAYAWADA (A.P)	

INDEX	No	REVISION	NAME	SGN/DATE

**NOTES :**

1. PLEASE GET SAMPLE PIECE APPROVED BEFORE PROCEEDING TO BULK MANUFACTURE.
2. SURFACE FINISH TO BE OBTAINED IN CASTING.



APHMEL/D&D/FMT/1:A


**RAIN CAP**

DRG.No.

**7314 - 01 - 018**

MATERIAL **NYLON - 6**

APPROVED BY	T.V.RAMANA.
CHECKED BY	K.SOMASEKHAR
DESIGN-D BY	K.SOMASEKHAR
DRAWN BY	P.JAYAKUMAR

SCALE **1 : 1** WEIGHT IN kg. **0.023**



**JUN 2015**

ARCHIVE No.

**4 -**

INDEX	No	REVISION	NAME	SGN./DATE

REF.DRG.No.    NORM.CHKD