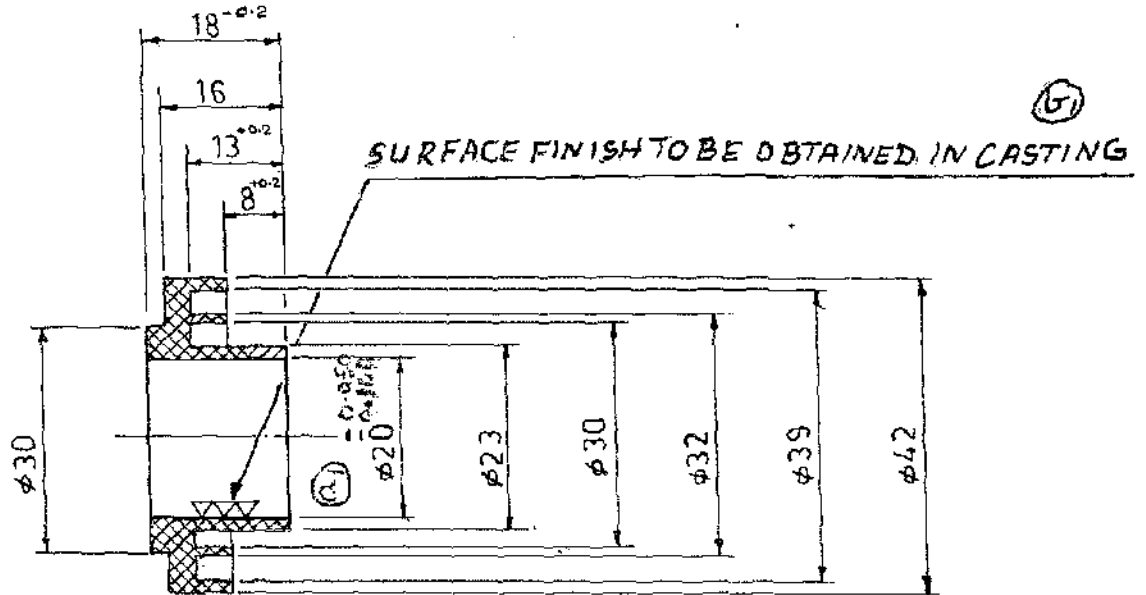


INDEX	NO.	REVISION	SIGN	DATE
a	1	$\phi 20 \pm 0.05$ $\phi 20 \pm 0.10$ WAS $\phi 20 \pm 0.02$	<i>[Signature]</i>	5/11/90
b	1	NOTE ADDED		22/1/91

▽ (VV)



NOTES:-

1. ALL DIMENSIONS ARE IN MM
2. MATL:- NYLON-6
3. QTY:- 2 NOS.
4. C. NO: 0059101005

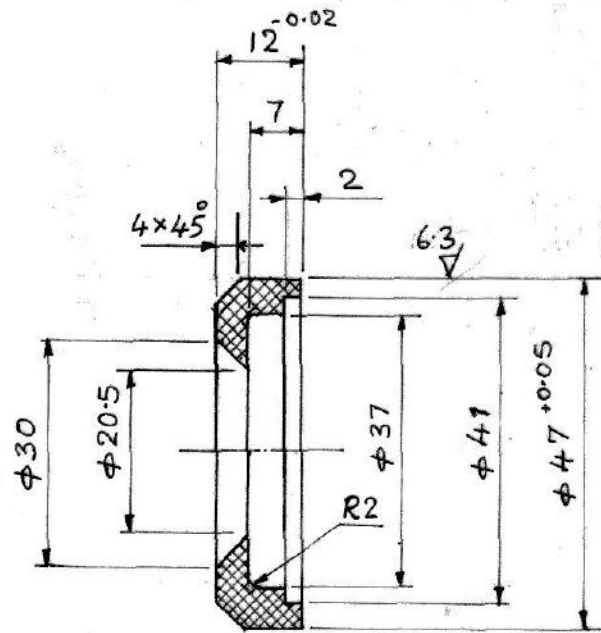
APHMEL/D&D/FMT/1:A

Approved	<i>[Signature]</i>		Ref.
Designed			
Checked	<i>[Signature]</i>	<i>[Signature]</i>	
Drawn	H.N.D.	23/2/84	
Description			Scale 1:1
LABYRINTH SEAL (INNER)			Sheet no. 1
			No of shts. 1
APHMEL		Drg. no.	Rev
		7040 10 107	<i>[Signature]</i>

4.00.55

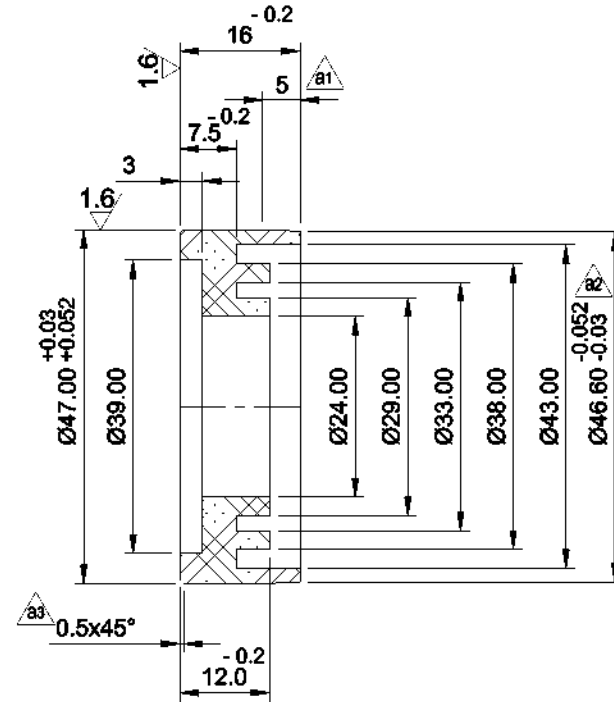
7200-11-210

12.5 / (6.3)



APHMEL/D&D/FMT/1:A Form-038

		SPACER FOR BEARING			7200-11-210		
					Material: NYLON-6		
		Approved by	C. R. RAO	Scale: 1:1	Weight in Kg.		
		Checked by	D. V. RAO				
		Designed by	S. V. S. RAO				
		Drawn by	K. Nimmala				
Index	No.	Revision	Signature	Date	Ref. Drg. No.	Norm. Chkd.	July '90 4-6005



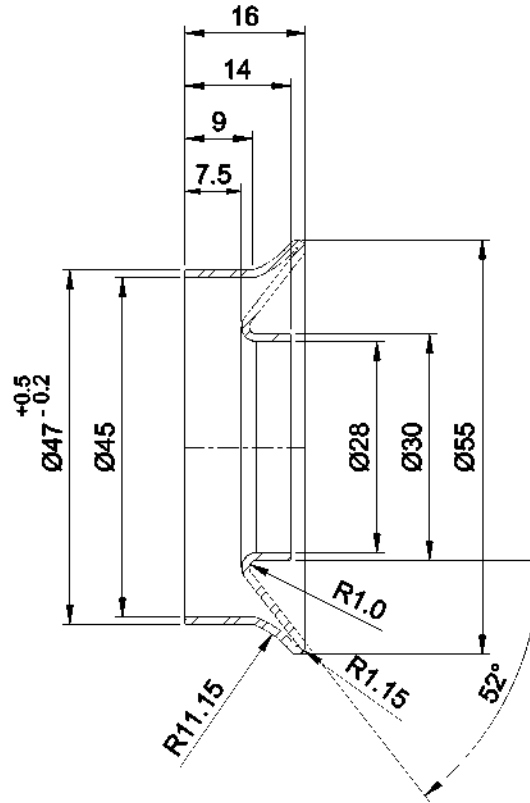
NOTES :

1. PLEASE GET SAMPLE PIECE APPROVED BEFORE PROCEEDING TO BULK MANUFACTURE.
2. SURFACE FINISH TO BE OBTAINED IN CASTING.
3. C.No : 005 91 02 005

APHMEL/D&D/FMT/1:A

LABYRINTH SEAL OUTER		DRG.No.	7306 - 00 - 001
		MATERIAL	NYLON - 6
APPROVED BY	T.V.RAMANA.	SCALE	1 : 1
CHECKED BY	T.V.RAMANA.	WEIGHT IN kg.	0.014
DESIGNED BY	T.V.RAMANA.	 VIJAYAWADA (A.P)	
DRAWN BY	P.JAYAKUMAR		
REF.DRG.No.	NORM.CHKD	JAN 2015	ARCHIVE No.
		4 -	


a	3	REVISED AS NOTED	T.V.RAMANA.	23.01.2015
INDEX	No	REVISION	NAME	SIGN/DATE



NOTES :

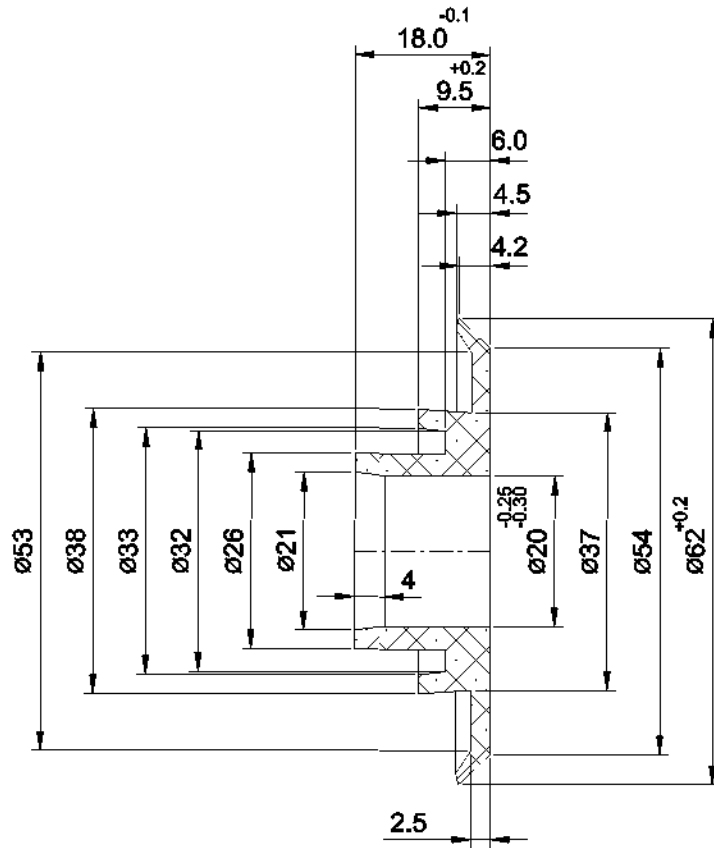
1. PLEASE GET SAMPLE PIECE APPROVED BEFORE PROCEEDING TO BULK MANUFACTURE.
2. C.No : 005 89 00 003

APHMEL/D&D/FMT/1:A

				DUST SEAL		DRG.No.	7306 - 00 - 002
						MATERIAL	CRCA SHEET BS 1449
				APPROVED BY T.V.RAMANA.		SCALE 1 : 1	WEIGHT IN kg. 0.04
				CHECKED BY T.V.RAMANA.		 VIJAYAWADA (A.P)	
				DESIGNED BY T.V.RAMANA.			
				DRAWN BY P.JAYAKUMAR		JAN 2015	
				REF.DRG.No.		ARCHIVE No.	
				NORM.CHKD		4 -	

INDEX	No	REVISION	NAME	SIGN/DATE


7306 - 00 - 004



NOTES :

1. PLEASE GET SAMPLE PIECE APPROVED BEFORE PROCEEDING TO BULK MANUFACTURE.
2. SURFACE FINISH TO BE OBTAINED IN CASTING.

APHMEL/D&D/FMT/1:A

			RAIN CAP		DRG.No.	▲
					7306 - 00 - 004	
					MATERIAL	NYLON - 6
					SCALE	1 : 1
			APPROVED BY T.V.RAMANA.		WEIGHT IN kg.	0.014
			CHECKED BY K.SOMASEKHAR		 APHMEL VIJAYAWADA (A.P)	
			DESIGNED BY K.SOMASEKHAR			
			DRAWN BY P.JAYAKUMAR			
INDEX			REF.DRG.No.	NORM.CH/D	JUN 2015 ARCHIVE No. 4 -	

INDEX	No	REVISION	NAME	SIGN/DATE